



99C、2000L型

电动手术台 (99C、2000L型)

Electric Operating Table (Model 99C、2000L)

99C电动手术台由我公司引进国外先进技术自行研制开发，是一款高档型的综合多功能手术台，属国内领先产品。超低位设计，能满足各种手术的需要，床面可纵向平移及水平旋转，台面采用高强度合成板制成，能透过X射线，可在手术过程中对病人进行全身各部位的C型臂检查。

该手术台采用电动液压控制，操作简便、噪音低、性能稳定可靠。

2000L型电动手术台无床面纵向平移功能，其余各参数与99C型电动手术台相同。

This Electric Operating Table 99C is developed independently by our company with innovative and advanced technologies. The table is a comprehensive one with high-quality and multi-purposes, which takes the leading position in the domestic market. The table can be used in almost all kinds of operations by means of special design. The bedtop can be moved vertically and rotated horizontally. The tableboard is made from high-intensity synthesis panel, X-Ray transmissive, easy adjustment and easy use of C-arm make the table can be more capable for any operation.

The operating table is controlled by Control Circuit, which is easy operation, low noise, reliable performance.

2000L operating table has almost the same functions with 99C, except that 2000L can't be moved in vertical direction.



主要规格 (Specifications)	
全长 (Overall length)	2040mm
宽 (Width)	500mm
台面最高 (Max Height)	930mm
台面最低 (Min Height)	580mm
行程 (Adjust)	≥350mm

主要技术参数 (Main Technical Parameters)	
前倾 (Reversed Trendelenburg)	≥20°
后倾 (Trendelenburg)	≥15°
侧倾 (Lateral Tilt)	≥15°
头板上折 (Head Section Raised from the Horizontal)	≥45°
头板下折 (Head Section Lowered from the Horizontal)	≥90°
背板上折 (Back Section Raised from the Horizontal)	≥85°

背板下折 (Back Section Lowered from the Horizontal)	≥55°
腿板下折 (Leg section Lowered from the Horizontal)	≥90°
腿板外展 (Leg section Opened)	≥90°
台面前后移动 (Backward and Forward Movement)	≥250mm
台面水平旋转 (Horizontal rotation of tabletop)	≥180°
电源 (Supply)	交流 (AC) 220V ± 10% , 50Hz
包装体积 (Volume)	150 × 78 × 103cm



99A型

电动手术台 (99, 99A型)

Electric Operating Table (Model 99,99A)

电动手术台供医院手术室施行人体各部位手术用。该产品除具有国内原有手术台的所有功能外，还具有独特的优点：腿板既可折转、外展又可拆卸，调节方便，十分便利泌尿科手术；台面可作前后移动，且全部采用高强度塑料板制成，可进行射线诊查；该手术台采用24V直流电压，安全可靠，台面前后倾、左右倾、上下升降均由电机实现，电钮操作，按照使用要求的不同，可同时配置各种不同功能的台面。

电动手术台的研制成功，填补了国内空白，是目前我国功能全、性能好、最先进的新型手术台之一。可配C型臂使用。

99A型背板上折、腿板下折采用气压弹簧。

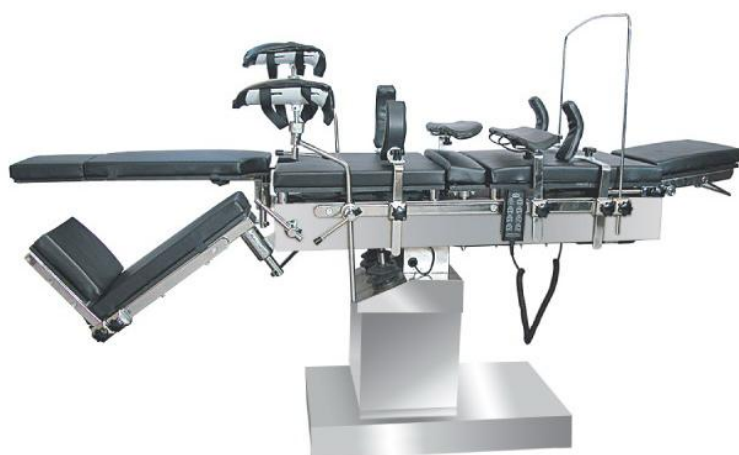
Electric Operating Table is designed for all operations in hospitals. Besides all functions of the domestic products, it has its own advantages:

1. Leg section can be rotated, opened, disassembled and adjusted easily. It is most adapt to the urological operation.
2. The table top, made of highstrength plastic, can move backwards and forwards. X-ray examination can be carried out on it.
3. With 24V direct supply, the table is safe and reliable. The table's elevation, lowering, reversed trendelenburg, trendelenburg, lateral tilt are all automatically controlled by the Button.
4. This table can be configured with different kinds of table tops for different use.

Electric Operating Table is one of the most advaced operating table with excellent functions in China. Availabe for the Model C arm.

The back section and the leg section of Model 99A is equipped with the barometric pressure spring.

99型



99型主要规格 (Specifications)

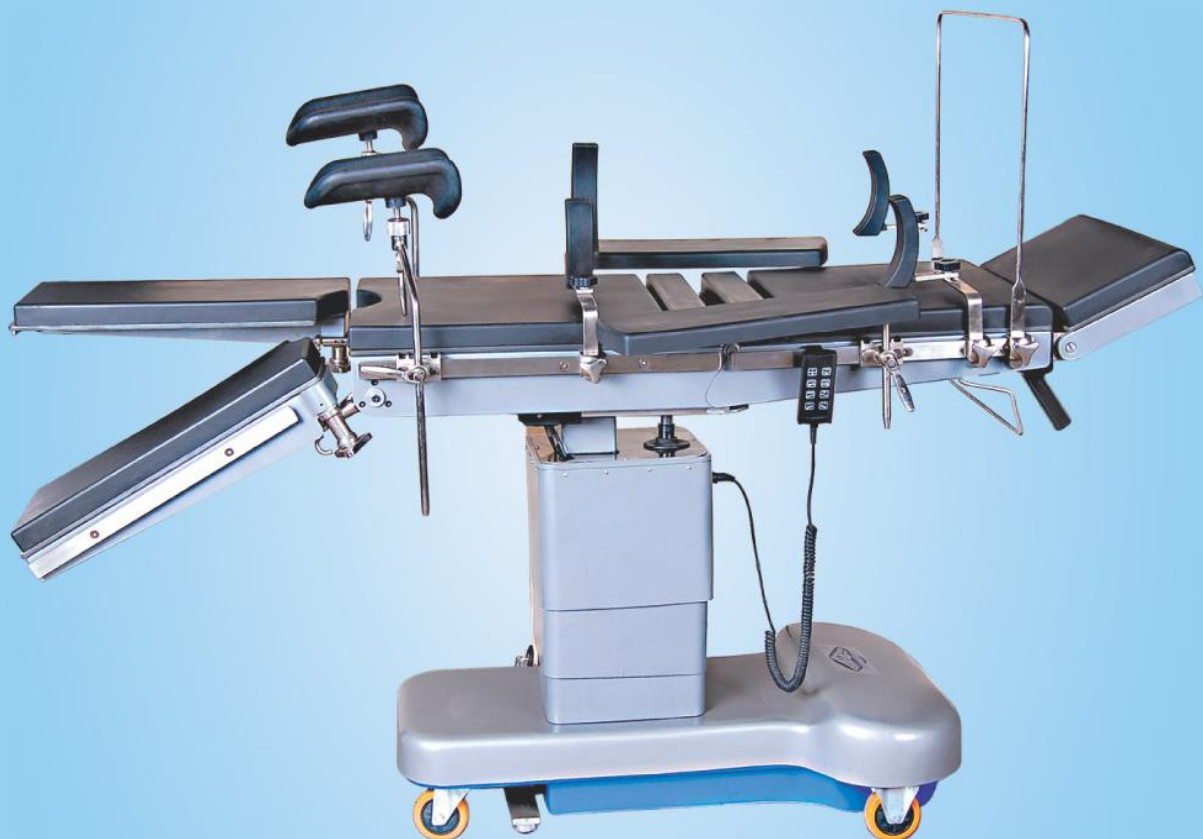
长 (Length)	2100mm
宽 (Width)	480mm
台面最高 (Max Height)	1000mm
台面最低 (Min Height)	750mm

99A型主要规格 (Specifications)

长 (Length)	2100mm
宽 (Width)	500mm
台面最高 (Max Height)	940mm
台面最低 (Min Height)	700mm
背板上折 (Back Section Raised from the Horizontal)	≥45°

主要技术参数 (Main Technical Parameters)

前倾 (Reversed Trendelenburg)	≥25°
后倾 (Trendelenburg)	≥25°
侧倾 (Lateral Tilt)	≥15°
台面前后移动 (Backward and Forward Movement)	≥400mm
头板上折 (Head Section Raised from the Horizontal)	≥45°
头板下折 (Head Section Lowered from the Horizontal)	≥90°
电源 (Supply)	交流 (AC) 220V ± 10% , 50Hz
腿板下折 (Leg section Lowered from the Horizontal)	≥90°
腿板外展 (Leg section Opened)	≥90°
腰板上升 (Kidney Bridge Elevation)	≥60mm
包装体积 (Volume)	150 × 78 × 103cm



99D型

电动手术台 (99D型)

Electric Operating Table (Model 99D)

本产品供医院手术室施行头、颈、胸腹腔、会阴及四肢等外科及妇产科、五官科、骨科等手术，台面升降、前后倾、左右倾及前后移动由电动系统完成，背板升降应用高压气体阻尼缸支撑结构，该床整个操作系统灵活、简便。全密封底座，造型美观大方，防尘防水，稳定实用，底座造型便于医师靠近患者，减少工作疲劳。台面板采用高强度合成板制成，能透过X射线，便于透视、摄影。可配C型臂使用。

The product is designed for head, neck, throat and abdomen, perineum as well as gynecology and obstetrics, orthopaedics and so on operations. The table's elevation, lowering, reversed trendelenburg; trendelenburg, lateral tilt are all automatically controlled by the Button, the back section elevation is controlled by high pressure gas jar. It can be adjusted easily. The airproof base is dustproof, waterproof and stable, its model is easy for doctor to near the patient, and reduces the doctor's weary. The table is made of high-strength synthetic boards, it can penetrate the X-ray, it is advantageous for the perspective and the photography, it also can be used with C-arm.

主要规格 (Specifications)

长 (Length)	2100mm
宽 (Width)	500mm
台面最高 (Max Height)	1050mm
台面最低 (Min Height)	750mm
行程 (Adjust)	≥300mm
可自由升降锁定 It can be locked freely when raised or lowered	

主要技术参数 (Main Technical Parameters)

前倾 (Reversed Trendelenburg)	≥20°	背板下折 (Back Section Lowered from the Horizontal)	≥30°
后倾 (Trendelenburg)	≥15°	腿板下折 (Leg section Lowered from the Horizontal)	≥90°
侧倾 (Lateral Tilt)	≥15°	腿板外展 (Leg section Opened)	≥90°
头板上折 (Head Section Raised from the Horizontal)	≥45°	前后移动 (Move Front and Back)	≥250mm
头板下折 (Head Section Lowered from the Horizontal)	≥90°	电源 (Supply)	交流 (AC) 220V ±10% , 50Hz
背板上折 (Back Section Raised from the Horizontal)	≥60°	包装体积 (Volume)	145 × 78 × 98cm

电动手术台 (2000G型)

Electric Operating Table (Model 2000G)

2000G型电动手术台是本公司采纳、吸收国内外先进技术研制开发的新产品。该手术台适用于骨科、妇科、眼、耳、鼻、喉、泌尿科等各科手术，是当今世界领先产品。

该手术台由电动液压系统、控制电路及可透X线的台面组成，功能齐全，操作灵活。偏柱式支撑，可大面积透X射线，更好地配合C型臂来完成各种手术，五节式床面板，床身尺寸符合人体工程学，可以方便地调节出颈椎、腰椎、脊椎等手术所需要的各种体位。该手术台功能齐全，性能良好，是一款理想的手术设备。

Electric Operating Table 2000G was exploited independently by our company with innovative and advanced technologies introduced from domestic and overseas. This table can be used in almost all kinds of operation including orthopedics, otology, gynaecotokology, urology ect. It is a world leading product.

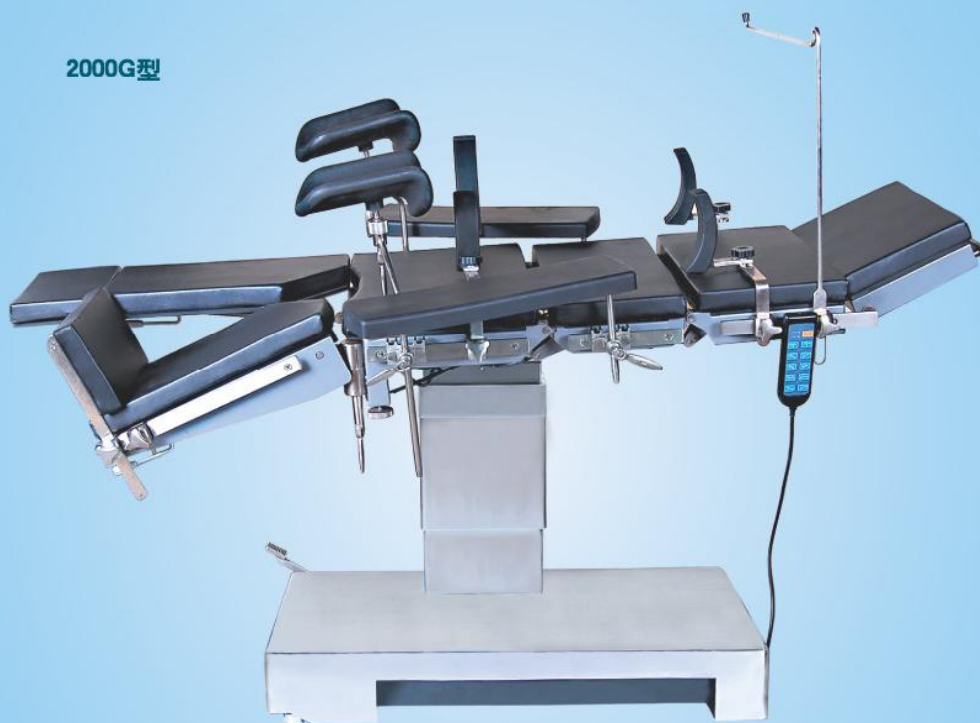
This table is composed by electric Hydraulic pressure system, Control circuit and X-ray transmissive head section. Full function, easy adjustment, with the help of C-arm, the table can be more capable for any operation. The back section is made form five parts, which can be easily adjusted for different operations such as neck, lumber and chine operations. With the good performance, you will find it is a perfect operation equipment.



主要规格 (Specifications)	
长 (Length)	2000mm
宽 (Width)	500mm
台面最高 (Max Height)	700~1000mm
行程 (Adjust)	≥300mm

主要性能参数 (Main Function and data)	
前倾 (Reversed Trendelenburg)	≥25°
后倾 (Trendelenburg)	≥25°
侧倾 (Side Leans)	≥20°
头板上折 (Folds Upward of Head Section)	≥35°
头板下折 (Folds Downward of Head Section)	≥90°
肩板上折 (Shoulder Section Raised from the horizontal)	≥35°
肩板下折 (Shoulder Section lower from the horizontal)	≥45°
背板上折 (Back Section Raised from the horizontal)	≥60°
背板下折 (Back Section lower from the horizontal)	≥10°
腿板下折 (Folds Downward of Leg Section)	≥90°
腿板外展 (Eversion of Leg Section)	≥90°
电源 (Supply)	交流 (AC) 220V ± 10% , 50Hz
包装体积 (Volume)	145 × 80 × 97cm

2000G型

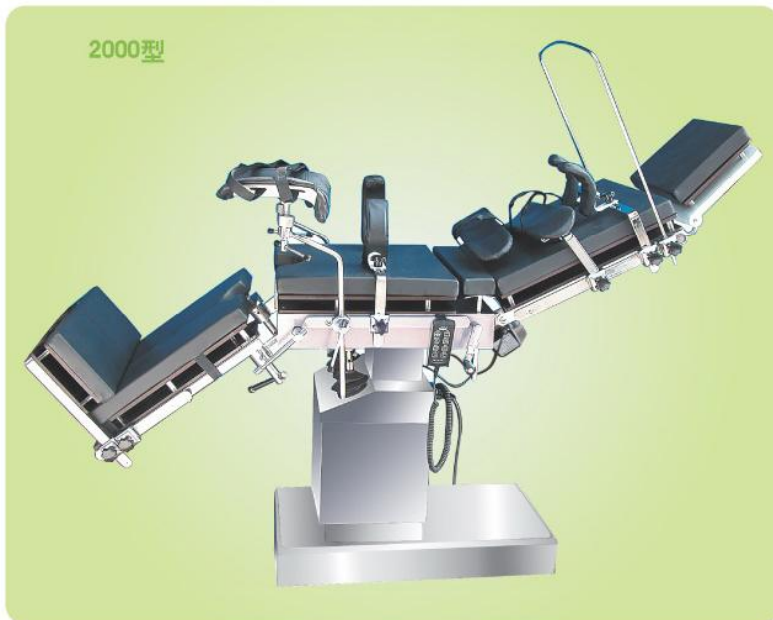


电动手术台 (2000型)

Electric Operating Table (Model 2000)

供医院手术室施行头、颈、胸腹腔、会阴及四肢等外科及妇产科、五官科、骨科等手术。双层塑料台面，可在手术时进行X射线检查；腿板可外展90°及拆卸，十分便于泌尿科手术。台面升降、前后左右倾、背板折转由电动装置实现，操纵灵活，安全可靠。

This bed is designed for surgical procedures of head, neck, thorax and abdomen, perineum extremities as well as for gynaecological, oto-rhino-laryngological and orthopaedics operation. The table top, made of double-decker plastic. So that X-ray examination can be available during operation. It's raising, lowering, lateral tilt, reversed trendelenburg and trendelenburg movement, back section bending are all controlled by electrically. It can adjust easily, And its performance is also reliable.



主要规格 (Specifications)	
长 (Length)	2100mm
宽 (Width)	480mm
台面最高 (Max Height)	1000mm
台面最低 (Min Height)	750mm

主要技术参数 (Main Technical Parameters)			
前倾 (Reversed Trendelenburg)	≥25°	背板下折 (Back Section Lowered from the Horizontal)	≥15°
后倾 (Trendelenburg)	≥25°	腿板下折 (Leg Section Lowered from the Horizontal)	≥90°
侧倾 (Lateral Tilt)	≥15°	腿板外展 (Leg Section Opened)	≥90°
头板上折 (Head Section Raised from the Horizontal)	≥45°	腰板上升 (Kidney Bridge Elevation)	≥100mm
头板下折 (Head Section Lowered from the Horizontal)	≥90°	电源 (Supply)	交流 (AC) 220V ± 10%, 50HZ
背板上折 (Back Section Raised from the Horizontal)	≥45°	包装体积 (Volume)	150 × 78 × 103cm

电动手术台 (2000B型)

Electric Operating Table (Model 2000B)

该产品是我公司根据医院临床要求开发的一种新产品，尤其适合于眼科手术。

该手术台最大的特点是床面最低能降到500mm，便于医生做眼科手术时坐姿操作并设有搁手架以降低医生的疲劳程度；该手术台的升降采用电动机构实现，具有噪声低、可靠性强和操作方便的优点。

It is a special designed new product for ophthalmology operation in need of hospital and clinical demands.

This operating table can be lowered to 500mm height from floor for the convenient of ophthalmologist. The table is equipped with hand rest for decreasing physical fatigue of doctor. Its raising and lowering actions are controlled by electrically. It works with lower noise and can be adjusted easily. And also has a reliable performance.



主要规格 (Specifications)	
长 (Length)	1950mm
宽 (Width)	520mm
台面最高 (Max Height)	750mm
台面最低 (Min Height)	500mm

主要技术参数 (Main Technical Parameters)	
头板调节范围 (Adjustments of Head Section)	
上升 (Elevation)	≥50mm
下降 (Descend)	≥50mm
包装体积 (Volume)	210 × 73 × 77cm

2000C型



电动手术台 (2000C型)

Electric Operating Table (Model 2000C)

该电动手术台是专为脑外科手术而设计，也可满足颈、胸腹腔、会阴、四肢等外科、妇产科、泌尿科、五官科手术的需要，是一种多功能的综合手术台。

该手术台的最大特点是床面可降得很低，尤其适用于医务人员坐位手术，并有成套的专用头架。

该手术台采用电动装置实现各动作，噪音低，性能稳定，操纵方便。可灵巧地调节台面、头板、背板、座板、腰板、腿板的各项预定的动作和角度。

It is a specially designed new product for cerebral operation, also available in surgical procedures of the neck, throat and abdomen, perineum and extremities as well as for gynaecological, oto-rhino-laryngological operations. It is a multi purpose operating table.

This operating table can be lowered to 550mm high from floor for convenient of doctors. There is also a special designed head rack.

Its movements are controlled by electrically. It has a lower noise, And its performance is also reliable, its can be adjusted easily. Various positions as head section, back section, seat section, kidney bridge, Leg section can also be easily adjusted.

主要技术参数 (Main Technical Parameters)

床面长度 (Length)	2000mm	床面侧倾 (Lateral Tilt)	≥ 18°
床面宽度 (Width)	480mm	背板上折 (Back Section Raised form the Horizontal)	≥ 50°
床面最高 (Max Height)	800mm	背板下折 (Back Section Lowered form the Horizontal)	≥ 15°
床面最低 (Min Height)	550mm	腿板下折 (Leg Section Lowered form the Horizontal)	≥ 90°
床面前倾 (Reversed Trendelenburg)	≥ 20°	腰板上升 (Kidney Bridge Elevation)	100mm
床面后倾 (Trendelenburg)	≥ 20°	电源 (Supply)	交流 (AC) 220V ± 10%, 50Hz.
		包装体积 (Volume)	141 × 76 × 83cm

电动手术台 (2000E、2000F型)

Electric Operating Table (Model 2000E、2000F)

电动手术台主要适用于普外科的手术需要。2000E型电动手术台面升降、台面前后移动、左右移动由电动实现，按钮操纵（2000F型电动手术台的台面前后移动、左右移动由手动实现），立柱侧置。

电动手术台包括台面、主体、电控、附件等部分。台面可根据需要在主体上作前后移位和左右移位，前后位移量大于400mm，左右位移量大于100mm。台面采用工程塑料制成，立柱侧置，以便于对病人进行X光透视。

Electric Operating Table (Model 2000E) is designed for surgical. The tabletop's raising, lowering, backward and forward movements, lateral movement are all conducted electrically and controlled by buttons. (except Model 2000F)Pillar side is put.

Electric operating Table is consisted of the tabletop, the body, the electric controlling part and the accessories,etc. The tabletop can be moved backward and forward if necessary. The distance of moving backward can be more than 400mm.The distance of moved lateral is more than 100mm.The tabletop is made of engineering plastic, thus X-ray examination of can be available.

主要规格 (Specifications)		台高 (Table top Ct from floor)	台面升降行程 (Throw of tabletop)	200±20mm
台面尺寸 (Dimension of table top)	全长 (Overall Length)	2100±50mm	台面离地最低 (Min Height)	700±30mm
	宽 (Width)	520±25mm	台面调节范围 (Range of movements)	前后移动 (Backward and Forward movements) ≥400mm
包装体积 (Volume)	212×68×90cm		左右移动 (Lateral movement)	≥100mm

2000E型

